



Xtra Slim Laser Video Wall

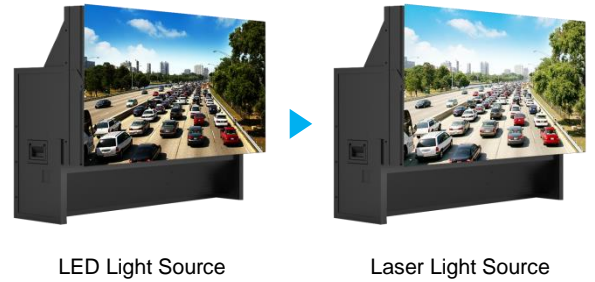
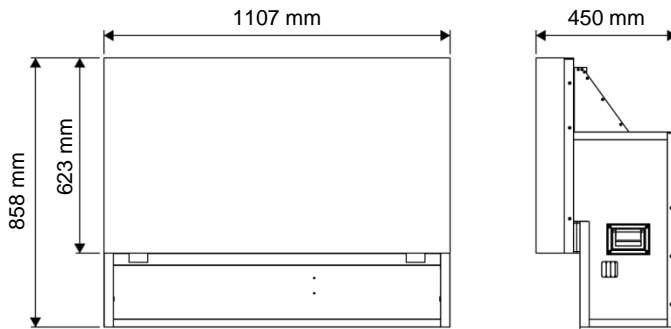
50" Full HD Laser Video Wall

- Rich picture quality with Full HD Resolution for superb image quality
- Ultra High Brightness to give the most vivid colors
- High lumens efficiency for reducing operating costs
- Browser/Server based architecture for quick monitoring
- Slimmest Laser Cube saves real state



50" Full HD Laser Video Wall

Delta's Laser Video wall is a rear projection, Laser based Full HD Video wall that offers environment friendly Laser illumination, ultra high brightness and true cube redundancy. Industry's first ultra-bright Laser based DLP® video wall improves energy savings of up to 33%.



Specifications

Model		DVS-508RS / DVS-508FS				
Description		Laser Light Source Full HD Cube				
Individual Cube Size		50" Diagonal				
Image Size		1107 x 623 mm				
Display Technology		DLP, single chip				
Native Resolution		1920 x 1080 pixels				
Aspect Ratio		16:9				
Screen to Screen Gap		Rear Access : 0.2mm, Front Access : 1.0 mm				
Light Source		Laser				
Brightness		Typ. 2400 lumens ^{*1}				
Brightness Uniformity		Up to 98% ^{*2}				
Contrast Ratio		Typ. 1800:1				
Colors		16.7 million				
Color Temperature Range		3200K to 9300K, Custom				
Standard Inputs		1x Digital DVI-I, 1x Digital HDMI, 1x Analog D-sub 15pin, 1x Analog 5BNC (RGBHV or YPbPr)				
Standard Outputs		1x Digital DVI-D				
Optional Board	I ^{*3}	Inputs	1x Digital DVI-D, 1x HDMI, 1x Display port, 1x Analog 5BNC (RGBHV or YPbPr), 1x Analog S-video			
	II ^{*3}	Inputs	1x Digital DVI-D, 1x 3G-SDI, 1x Display port, 1x Analog 5BNC (RGBHV or YPbPr), 1x Analog S-video			
		Output	1x 3G-SDI			
III ^{*3}	Inputs	1x Digital DVI-D, 1x HD-baseT, 1x Display port, 1x Analog 5BNC (RGBHV or YPbPr), 1x Analog S-video				
Control Options		RS-232 / RS 422, IP, IR				
Screen Brightness	Screen Type	Bright mode	Normal mode	ECO mode	Screen Viewing Angle (1/2 Gain)	
	CSI	1140 cd/m ²	860 cd/m ²	570 cd/m ²	H: 36°	V: 34°
	WUCS(with front glass filter)	1400 cd/m ²	1050 cd/m ²	700 cd/m ²	H: 24°	V: 12°
Light source Average Life		60,000 hours	80,000 hours	100,000 hours		
Power Consumption		320 w	250 w	160 w		
Input Voltage		AC 90-240 V @ 50/60 hz				
Power Supply		Dual Power supply available as an option				
Dimension (W x H x D)& Weight		Dimension : 1107 x 858 x 450 mm, Net Weight : Rear = 68kg, Front = 72Kg				
Operating Temperature		5°C ~ 40°C (41°F ~ 104°F), Operating Altitude : < = 4000M				
Non-Operating Temperature		-20°C ~ 60°C (-4°F ~ 140°F)				
Operating / Storage Humidity		10% ~ 90%, non-condensing				

Note: *1. Full on mode Engine Brightness, *2. Through electrical compensation, *3 Only one of the optional boards can be used with standard input / *All specifications are subject to change without prior notice. Ver:07.2017

Website: www.deltadisplays.com | Contact Us: vw.sales@deltadisplays.com

