



## Laser Video Wall

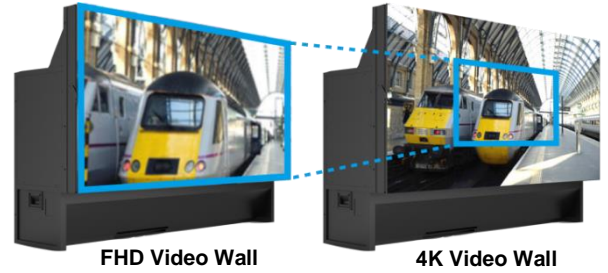
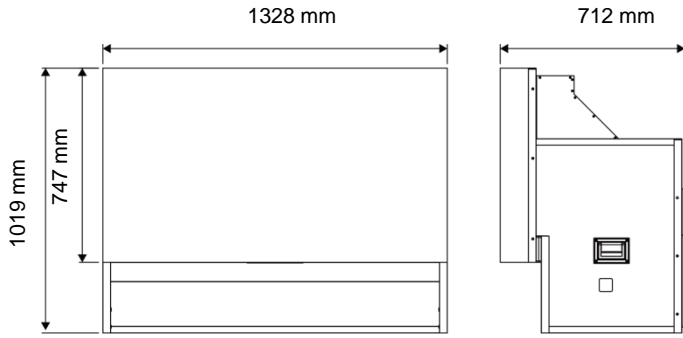
### 60" 4K Laser Rear Access Video Wall

- 4K resolution offers sharp image quality for monitoring finest details
- Ultra-High brightness for use in challenging environments
- High lumen efficiency to reduce total cost of ownership
- Browser/Server based architecture for quick monitoring



# 60" 4K Laser Video Wall

Delta's laser video wall is a rear projection, laser based 4K video wall that offers environment friendly laser illumination, ultra high brightness and true cube redundancy. Industry's first ultra-bright laser based DLP® video wall improves energy savings of up to 33%.



Sharp Image quality with 4K resolution for 4x monitoring area then FHD.

## Specifications

Model		DVS-60AR	
Description		Laser Light Source 4K Cube	
Individual Cube Size		60" Diagonal	
Image Size		1328 x 747 mm	
Display Technology		DLP, single chip	
Native Resolution		3840 x 2160 pixels	
Aspect Ratio		16:9	
Screen to Screen Gap		Rear Access : 0.2mm	
Light Source		Laser	
Brightness		Typ. 2500 lumens*1	
Brightness Uniformity		Up to 95%	
Contrast Ratio		Typ. 1600:1	
Screen Options		CSI / WUCS with front glass filter / Others	
Screen Viewing Angle( 1/2 gain )		CSI	H: 36°, V: 34°
Colors		16.7 million	
Color Temperature Range		3200K to 9300K, Custom	
Standard Inputs		1x Digital DVI-D, 1x Digital HDMI ( 2.0 ), 1x Analog D-sub 15pin, 1x DP(1.2)	
Optional Board	I <sup>2</sup>	Inputs	1x Digital DVI-D, 1x HDMI, 1x Display port, 1x Analog 5BNC (RGBHV or YPbPr), 1x Analog S-video
	II <sup>2</sup>	Inputs	1x Digital DVI-D, 1x 3G-SDI, 1x Display port 1x Analog 5BNC (RGBHV or YPbPr), 1x Analog S-video
		Output	1x 3G-SDI
III <sup>2</sup>	Inputs	1x Digital DVI-D, 1x HD-baseT, 1x Display port 1x Analog 5BNC (RGBHV or YPbPr), 1x Analog S-video	
Control Options		RS-232 / RS 422, IP, IR	
Brightness Options		Bright : 2500 lm	Normal : 1800 lm      ECO : 1200 lm
Light source Average Life		Bright : 60,000 hours	Normal: 80,000 hours      ECO: 100,000 hours
Input Voltage		AC 90-240V @ 50/60 hz	
Power Supply		Single Power Supply	
Power Consumption		Bright : 280 w	Normal: 210 w      ECO: 140 w
Dimension (W x H x D)		Dimension: 1328 x 1019 x 712 mm	
Operating Temperature		5°C ~ 40°C (41°F ~ 104°F)	
Non-Operating Temperature		-20°C ~ 60°C (-4°F ~ 140°F)	
Operating / Storage Humidity		10% ~ 90%, non-condensing	

Note: \*1. Bright mode engine brightness. \*2 Only one of the optional boards can be used with standard input / output board . . .

※ All specifications are subject to change without prior notice.

Ver:5.2017