



# Xtra Slim LED Video Wall

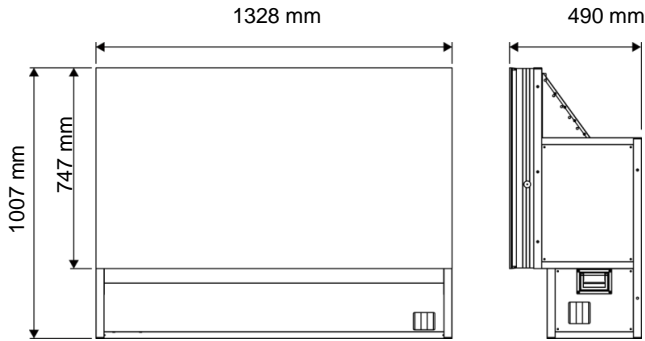
## 60" Full HD LED Video Wall

- Rich picture quality with Full HD Resolution for superb image quality
- Long life & environment friendly product
- High lumens efficiency for reducing operating costs
- Browser/Server based architecture for quick monitoring
- Slimmest LED Cube saves real state



# 60" Full HD LED Video Wall

Delta's LED Video wall is a rear projection, LED based Full HD Video wall that offers environment friendly LED illumination, vivid rich color and true cube redundancy. Industry's first ultra-slim LED based DLP® video wall save user's installation space .



LED Light Source

New Gen. LED Light

Source

## Specifications

		DVS-608RSL / DVS-608FSL				
Description		LED Light Source Full HD Cube				
Individual Cube Size		60" Diagonal				
Image Size		1328 x 747 mm				
Display Technology		DLP, single chip				
Native Resolution		1920 x 1080 pixels				
Aspect Ratio		16:9				
Screen to Screen Gap		Rear Access : 0.2mm , Front Access : 1.0 mm				
Light Source		LED				
Brightness Uniformity		Up to 98% <sup>*1</sup>				
Contrast Ratio		Typ. 1000:1				
Colors		16.7 million				
Color Temperature Range		3200K to 9300K, Custom				
Standard Inputs		1x Digital DVI-I, 1x Digital HDMI, 1x Analog D-sub 15pin, 1x Analog 5BNC (RGBHV or YPbPr)				
Standard Outputs		1x Digital DVI-D				
Optional Board	I <sup>*2</sup>	Inputs	1x Digital DVI-D, 1x HDMI, 1x Display port, 1x Analog 5BNC (RGBHV or YPbPr), 1x Analog S-video			
	II <sup>*2</sup>	Inputs	1x Digital DVI-D, 1x 3G-SDI, 1x Display port, 1x Analog 5BNC (RGBHV or YPbPr), 1x Analog S-video			
		Output	1x 3G-SDI			
III <sup>*2</sup>	Inputs	1x Digital DVI-D, 1x HD-baseT, 1x Display port, 1x Analog 5BNC (RGBHV or YPbPr), 1x Analog S-video				
Control Options		RS-232 / RS 422, IP, IR				
Screen Brightness	Screen Type	Bright mode	Normal mode	ECO mode	Screen Viewing Angle ( 1/2 Gain )	
	WVF	470 cd/m <sup>2</sup>	350 cd/m <sup>2</sup>	250 cd/m <sup>2</sup>	H: 38°	V: 21°
	WUCS(with front glass)	470 cd/m <sup>2</sup>	350 cd/m <sup>2</sup>	250 cd/m <sup>2</sup>	H: 22°	V: 12°
Light source Average Life		60,000 hours	80,000 hours	100,000 hours		
Power Consumption		210 w	180 w	160 w		
Input Voltage		AC 90-240 V @ 50/60 Hz				
Power Supply		Dual Power supply with Redundancy available as an option				
Redundancy Function		Redundant Digital/RGB input ,Redundant LED with multiple Diodes				
Dimension & Weight		(WxHxD) : 1328 x 1007 x 490 mm, Net Weight : Rear CSI = 77 Kg, Front CSI = 98 Kg				
Operating Temperature		5°C ~ 40°C (41°F ~ 104°F)				
Non-Operating Temperature		-20°C ~ 60°C (-4°F ~ 140°F)				
Operating / Storage Humidity		10% ~ 80%, non-condensing				

Note: \*1. . Through electrical compensation, \*2 Only one of the optional boards can be used with standard input / output board.  
 ※ All specifications are subject to change without prior notice. Ver:04.2017